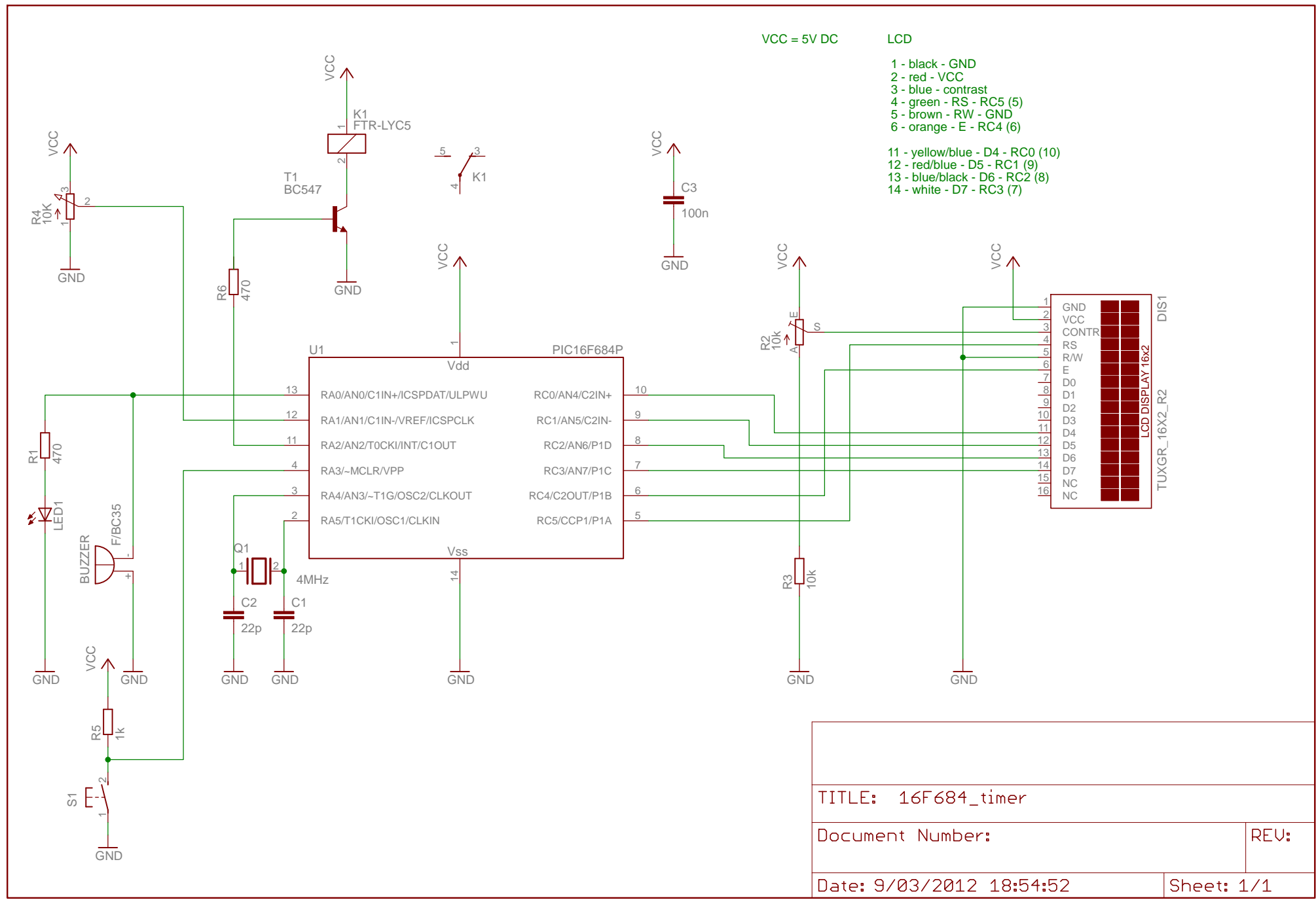


VCC = 5V DC

LCD

- 1 - black - GND
- 2 - red - VCC
- 3 - blue - contrast
- 4 - green - RS - RC5 (5)
- 5 - brown - RW - GND
- 6 - orange - E - RC4 (6)

- 11 - yellow/blue - D4 - RC0 (10)
- 12 - red/blue - D5 - RC1 (9)
- 13 - blue/black - D6 - RC2 (8)
- 14 - white - D7 - RC3 (7)



TITLE: 16F684\_timer

Document Number: REU:

Date: 9/03/2012 18:54:52

Sheet: 1/1